

TRUSST 
Backed by Chauvet

Built with TRUSST®:
CT290-430S (3m truss stick)
CT290-410S (1m truss stick)



Godskitchen Christmas Party at the HMV Institute - Birmingham, UK

EVERY TRUSST® STICK HAS A STORY

Every stick has a story. Let's build one together.

TRUSST® gives you the **tools to enhance** events and live performance experiences with ease of setup, maximum flexibility, maximum safety and maximum impact.

TRUSST® gives you the **wings to imagine** and create with sticks, arcs, corners, base plates, angles and accessories of varied dimensions and configurations to suit most design demands.

TRUSST® gives you **peace of mind** with tested products made from sturdy 6082-T6 alloy aluminum by certified SLV welders. All TRUSST® sticks are inspected and certified to meet stringent TÜV safety standards; they work seamlessly with other truss brands that utilize the same standard conical connectors.

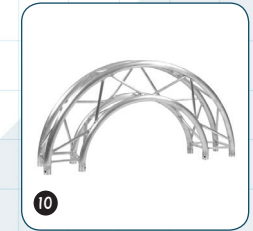
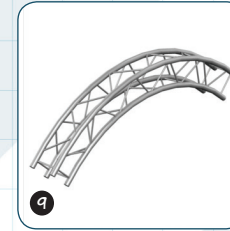
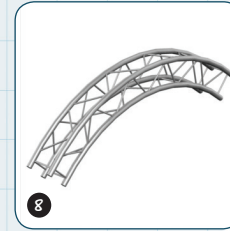
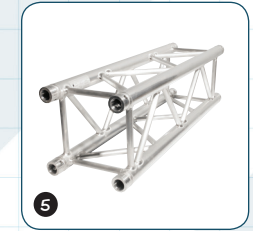
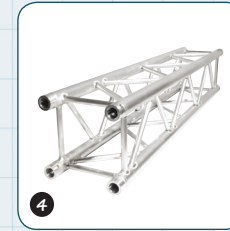
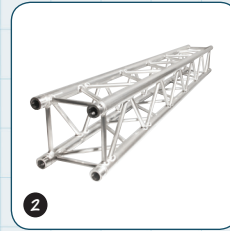
Every TRUSST® stick has at least one story. We can't wait to hear yours.

Connect with us and share.



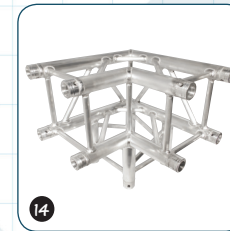
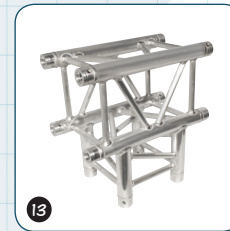
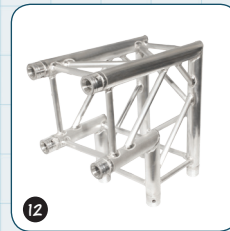
STICKS

- 1 3m (9.84ft)
CT290-430S
- 2 2.5m (8.20ft)
CT290-425S
- 3 2m (6.56ft)
CT290-420S
- 4 1.5m (4.92ft)
CT290-415S
- 5 1m (3.28ft)
CT290-410S
- 6 .5m (1.64ft)
CT290-405S
- 7 .25m (0.82ft)
CT290-402S



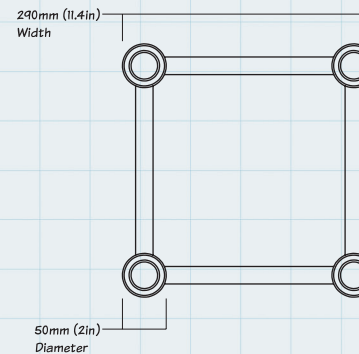
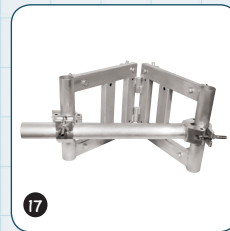
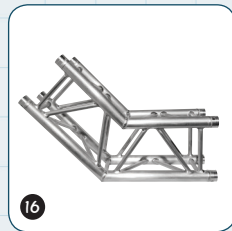
ARCS

- 8 3m (9.84ft) 90° Arc
CT290-430CIR-90
- 9 2m (6.56ft) 90° Arc
CT290-420CIR-90
- 10 1.5m (4.92ft) 180° Arc
CT290-415CIR-180

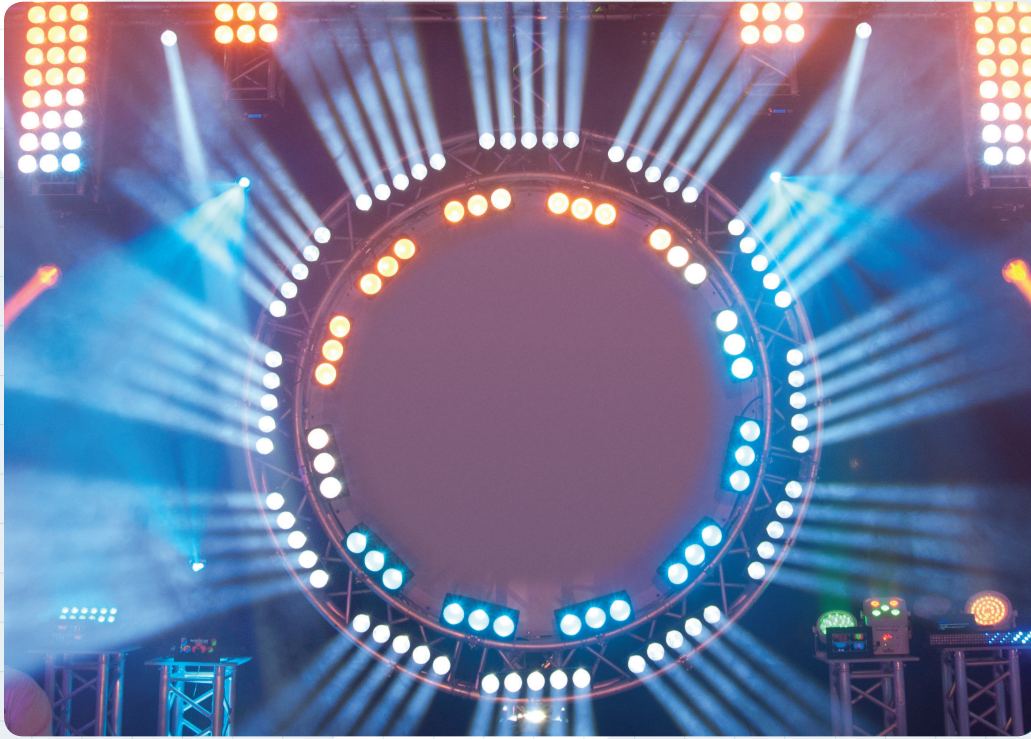


CORNERS

- 11 6-Way Corner Block
CT290-6WAYC
- 12 2-Way 90° Corner
CT290-490C
- 13 3-Way "T" Junction
CT290-43TC
- 14 3-Way 90° Corner
CT290-4390C
- 15 2-Way 120° Corner
CT290-4120C
- 16 2-Way 135° Corner
CT290-4135C
- 17 2-Way Book Hinge
CT290-4HC



TRUSS® CT-290 series easily mates with other major brands of truss of the same size and conical connection.



LOAD RATING CHARTS

IMPERIAL

| Span (feet) | 3.28 | 6.56 | 9.84 | 13.12 | 16.40 | 19.69 | 22.97 | 26.25 | 29.53 | 32.81 | 36.09 | 39.37 | 42.65 | 45.93 | 49.21 | 52.49 |
|---------------------|--------|--------|--------|--------|--------|--------|--------|--------|--------|--------|--------|--------|--------|--------|--------|--------|
| Center load (lbs) | 6103.3 | 4567.8 | 3037.7 | 2270.8 | 1808.7 | 1499.1 | 1276.7 | 1108.9 | 977.3 | 871.3 | 783.5 | 709.9 | 646.8 | 592.2 | 544.1 | 501.6 |
| Deflection (inches) | 0.04 | 0.12 | 0.28 | 0.51 | 0.83 | 1.18 | 1.61 | 2.09 | 2.64 | 3.27 | 3.94 | 4.69 | 5.51 | 6.38 | 7.32 | 8.35 |
| Uniform load (lbs) | 6103.3 | 6094.5 | 6075.5 | 4541.5 | 3616.7 | 2998.7 | 2554.1 | 2217.0 | 1954.4 | 1741.7 | 1566.6 | 1420.7 | 1292.6 | 1185.2 | 1088.0 | 1001.8 |
| Deflection (inches) | 0.04 | 0.16 | 0.35 | 0.67 | 1.02 | 1.46 | 2.01 | 2.60 | 3.31 | 4.06 | 4.92 | 5.87 | 6.89 | 7.99 | 9.17 | 10.43 |

METRIC

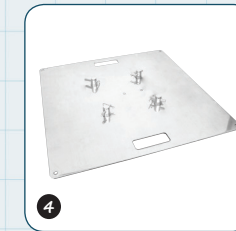
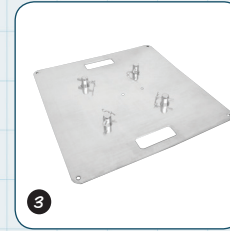
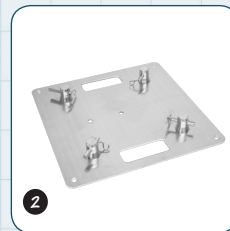
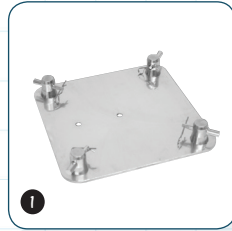
| Span (m) | 1 | 2 | 3 | 4 | 5 | 6 | 7 | 8 | 9 | 10 | 11 | 12 | 13 | 14 | 15 | 16 |
|-------------------|--------|--------|--------|--------|--------|--------|--------|--------|-------|-------|-------|-------|-------|-------|-------|-------|
| Center load (kg) | 2768.4 | 2071.9 | 1377.9 | 1030.0 | 820.4 | 680.0 | 579.1 | 503.0 | 443.3 | 395.2 | 355.4 | 322.0 | 293.4 | 268.6 | 246.8 | 227.5 |
| Deflection (mm) | 1 | 3 | 7 | 13 | 21 | 30 | 41 | 53 | 67 | 83 | 100 | 119 | 140 | 162 | 186 | 212 |
| Uniform load (kg) | 2768.4 | 2764.4 | 2755.8 | 2060.0 | 1640.5 | 1360.2 | 1158.5 | 1005.6 | 886.5 | 790.0 | 710.6 | 644.4 | 586.3 | 537.6 | 493.5 | 454.4 |
| Deflection (mm) | 1 | 4 | 9 | 17 | 26 | 37 | 51 | 66 | 84 | 103 | 125 | 149 | 175 | 203 | 233 | 26.5 |

Loading figures only valid for static loads and spans with two supporting points. If dynamic loads or wind loads are involved, or more supporting points are applied, contact a structural engineer.



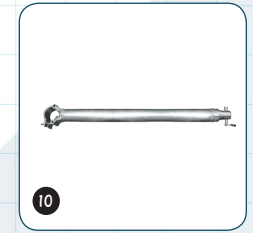
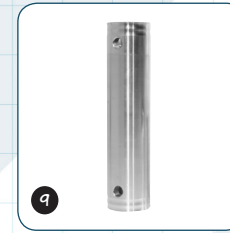
BASE PLATES

- 1 12in (305mm)
CT290-4112B
- 2 16in (406mm)
CT290-4116B
- 3 24in (610mm)
CT290-4124B
- 4 30in (762mm)
CT290-4130B



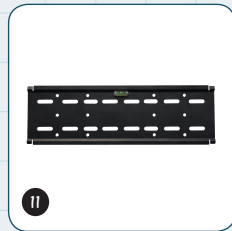
CONNECTORS

- 5 CT-PIN12
- 6 CT-CONKITB / CT-CONKIT6WAY
- 7 CT-CONKIT



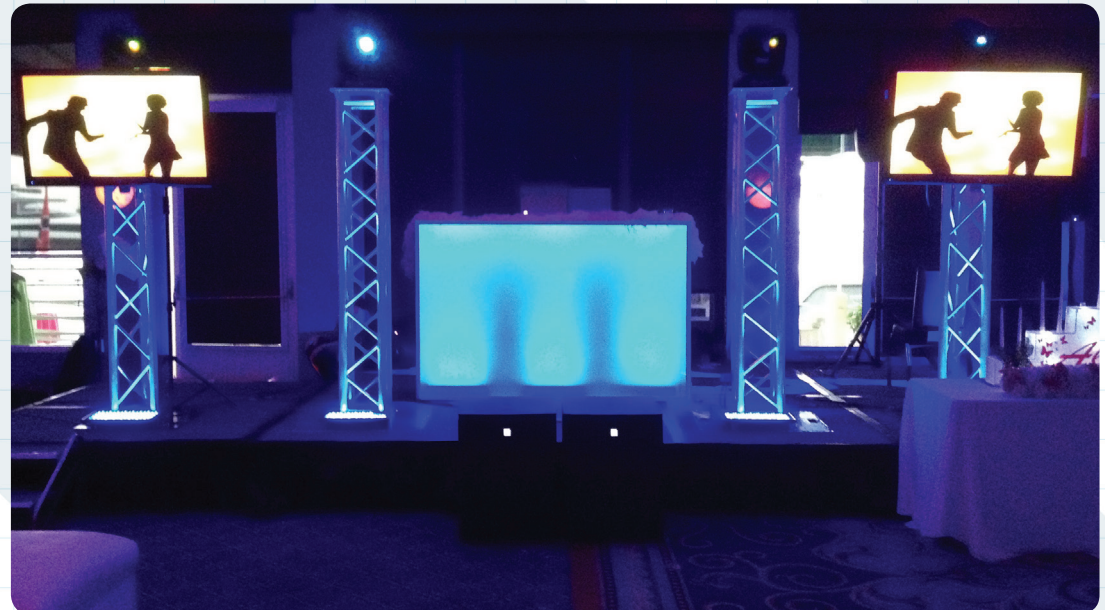
SPACERS

- 8 105mm (4.13in) Spacer
CT290-4105SK
- 9 210mm (8.27in) Spacer
CT290-4210SK



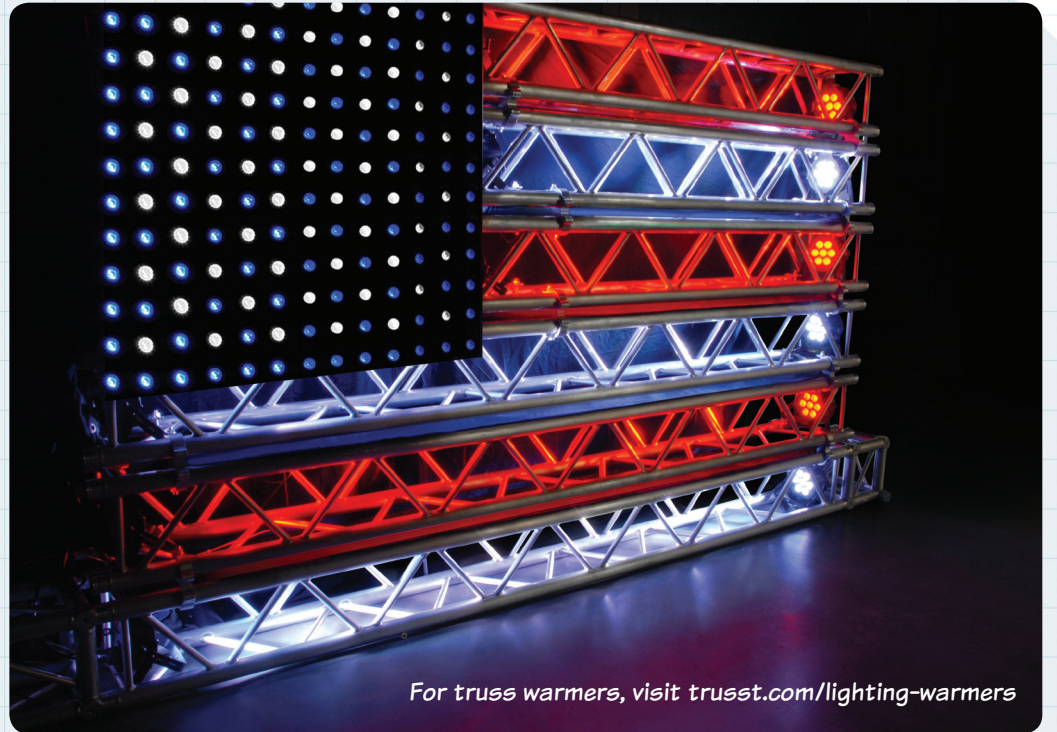
ACCESSORIES

- 10 1m (3.28ft) Pipe
CT-40110P
- 11 Universal TV Mount
CT-UTVM





Truss Totems: Perfect for mounting flat panel TVs using the CT-UTVM (Universal TV Mount) and as a platform for moving heads



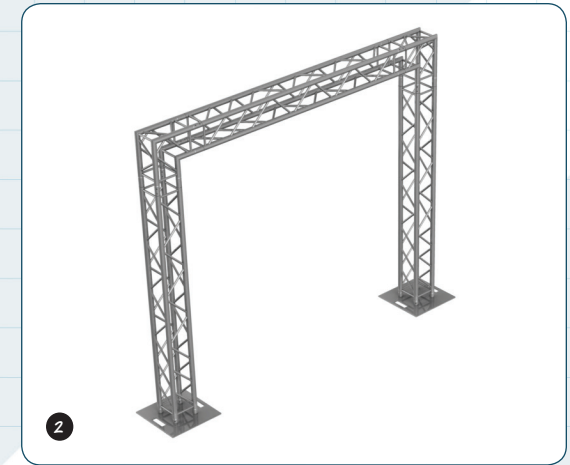
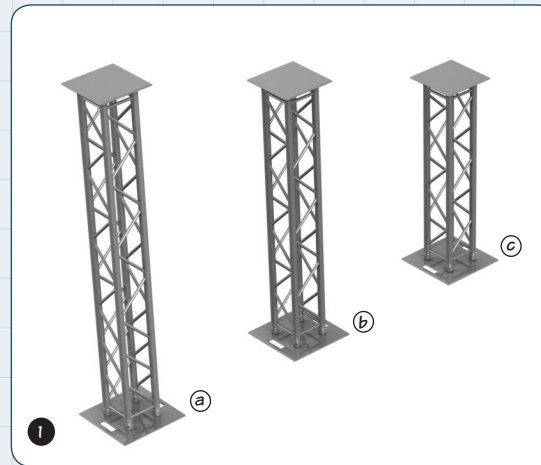
For truss warmers, visit trusst.com/lighting-warmers

TRUSST® SYSTEMS

EXHIBITS & DISPLAYS

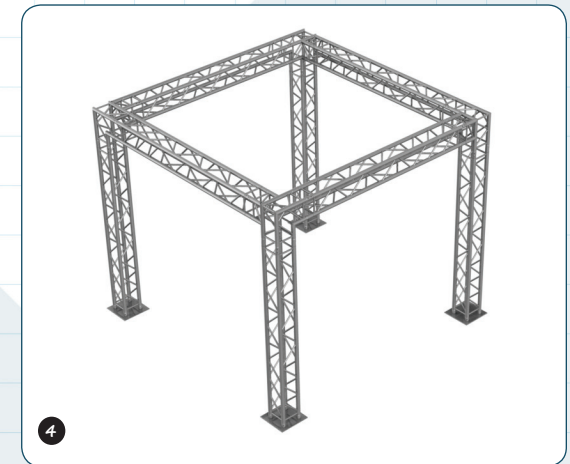
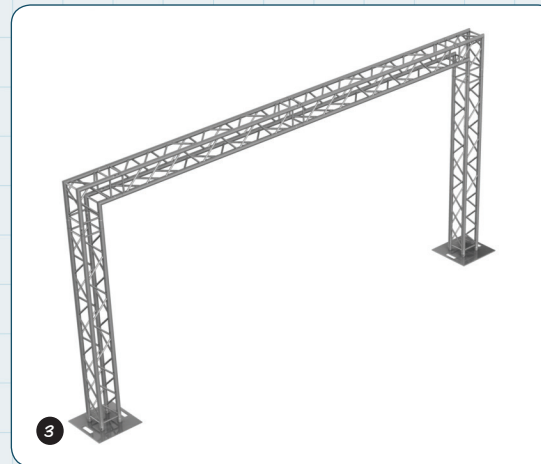
1 Totems

- a) 1 - CT290-425S (2.5m truss stick)
1 - CT290-4124B (24in base plate)
1 - CT290-4112B (12in base plate)
- b) 1 - CT290-420S (2m truss stick)
1 - CT290-4124B (24in base plate)
1 - CT290-4112B (12in base plate)
- c) 1 - CT290-415S (1.5m truss stick)
1 - CT290-4124B (24in base plate)
1 - CT290-4112B (12in base plate)



2 10 x 10ft Goal Post

- 3 - CT290-425S (2.5m truss stick)
- 2 - CT290-440C (2-way 90° corner)
- 2 - CT290-4130B (30in base plate)



3 10 x 20ft Goal Post

- 4 - CT290-425S (2.5m truss stick)
- 2 - CT290-440C (2-way 90° corner)
- 2 - CT290-4130B (30in base plate)

4 10 x 10 x 10ft Square System

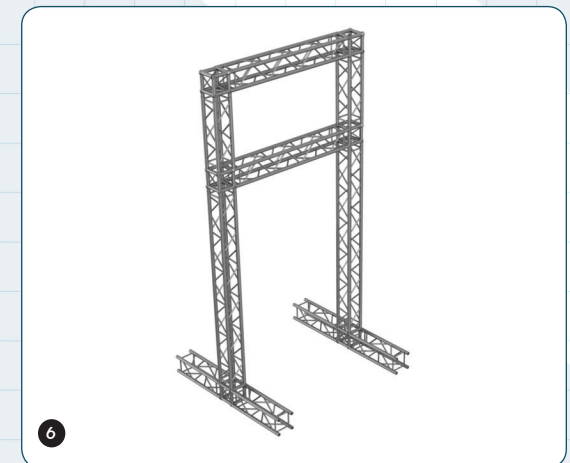
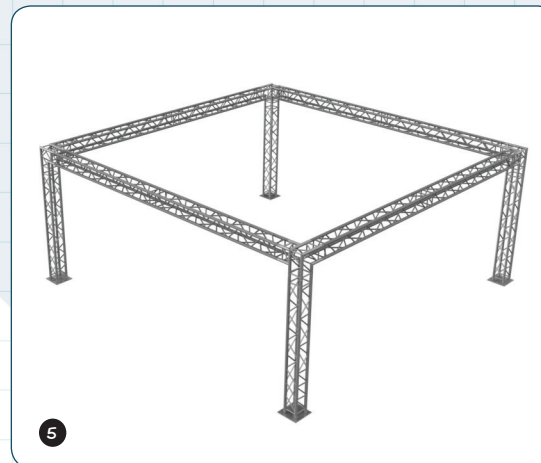
- 8 - CT290-425S (2.5m truss stick)
- 4 - CT290-4390C (3-way 90° corner)
- 4 - CT-CONKIT (connector set for truss and corners)
- 4 - CT290-4112B (12in base plate)

5 20 x 20 x 10ft Square System

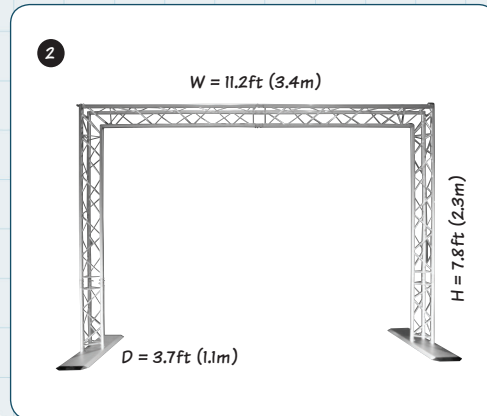
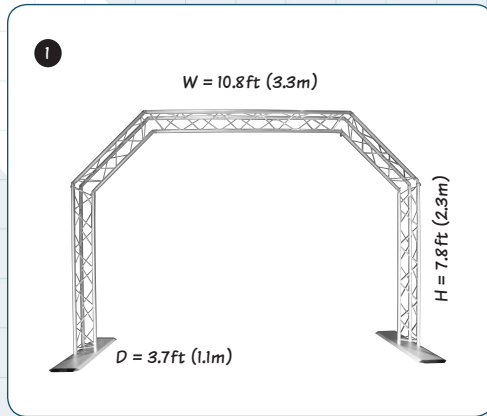
- 8 - CT290-430S (3m truss stick)
- 4 - CT290-425S (2.5m truss stick)
- 4 - CT290-4390C (3-way 90° corner)
- 4 - CT-CONKIT (connector set for truss and corners)
- 4 - CT290-4112B (12in base plate)

6 Finish Line

- 6 - CT290-410S (1m truss stick)
- 2 - CT290-420S (2m truss stick)
- 2 - CT290-430S (3m truss stick)
- 6 - CT290-6WAYC (6-way corner block)
- 4 - CT-CONKIT6WAY (connector set for 6-way corner block)



TRUSST® KITS



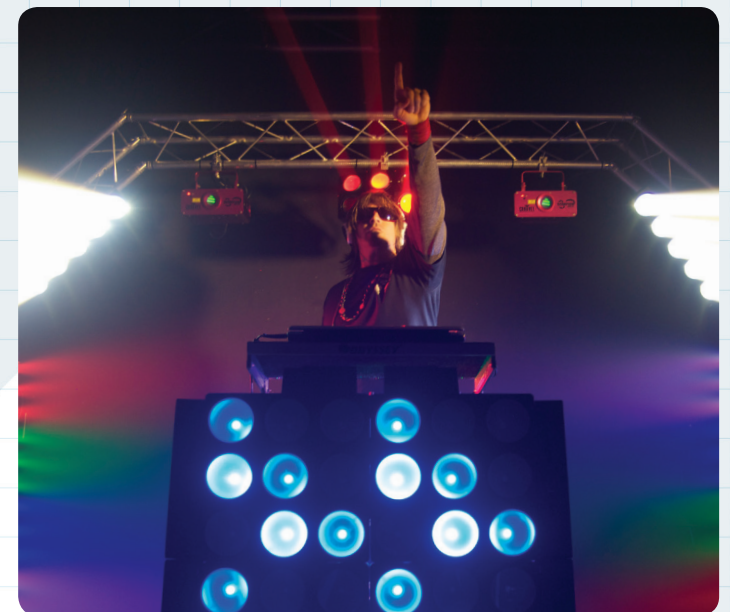
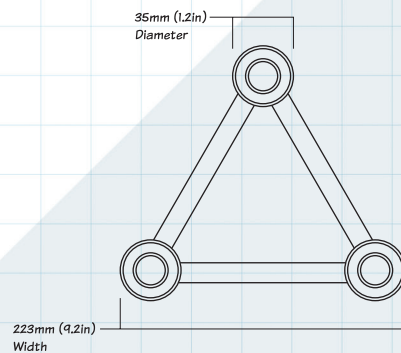
- 1 Arch Kit 10.8 x 3.7 x 7.8ft (3.3 x 1.1 x 2.3m)
QT-ARCH
- 2 Goal Post Kit 11.2 x 3.7 x 7.8ft (3.4 x 1.1 x 2.3m)
QT-GOAL
- 3 35mm Truss Clamp
CLP-35HC
- 4 CHAUVET® DJ VIP Gear Bag for Goal Post Kit
CHS-GOAL
- 5 CHAUVET® DJ VIP Gear Bag for Arch Kit
CHS-ARCH



Quick Release Pin System



SCAN and WATCH



Built with TRUSST®:
CT290-410S (1m truss stick)
CT290-420S (2m truss stick)
CT290-430S (3m truss stick)
CT290-4HC (2-way book hinge)



Paul van Dyk - Birmingham, UK

EVERY TRUSST® STICK HAS A STORY...

PROJECT:

TITLE:

DRAWN BY:

DATE: 2013-2014





GLOBAL HEADQUARTERS: 5200 NW 180th Ave. | Sunrise, FL 33351

EUROPEAN BRANCH: Unit 1C. | Brookhill Road Industrial Estate | Pinxton, Nottingham, UK | NG16 6NT

Distributed By:



For lighting large events or touring productions, request a CHAUVET® Professional catalog or access our CHAUVET® Professional line of fixtures at ChauvetProfessional.com.



For entertainment lighting for mobile DJs, bands, and clubs, request a CHAUVET® DJ catalog or access our CHAUVET® DJ line of fixtures at ChauvetDJ.com.